

MODELLO IDEA⁺



Products in conformity with UNI laws



European standards accomplishment

TESTS



External quality and safeness certifications according to the european laws



Low formaldehyde emission

01



TUBE



PANEL



JET

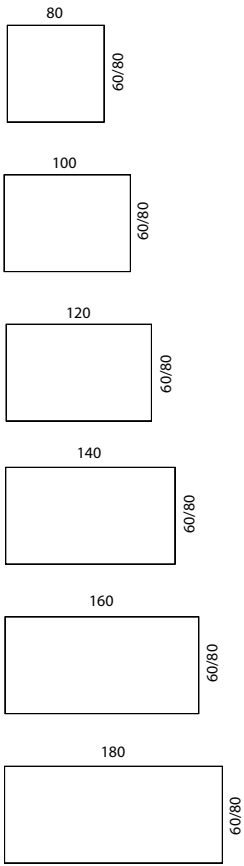


SYSTEM

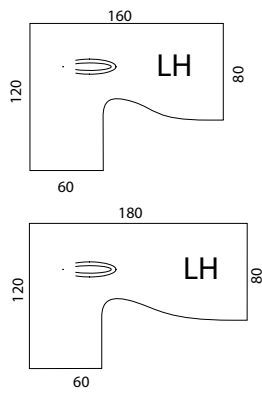


LAYOUTS

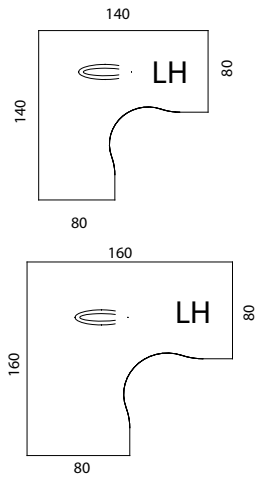
RECTANGULAR DESKS



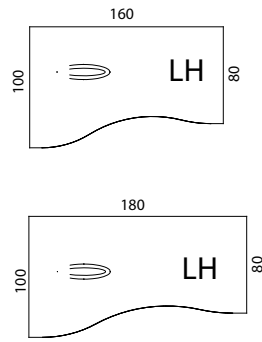
COMPACT DESKS 90° lh/rh return



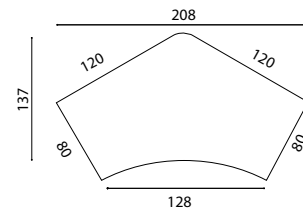
SYMMETRICAL DESKS 90° lh/rh return



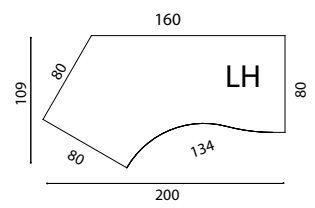
WAVE SHAPED DESKS lh/rh return



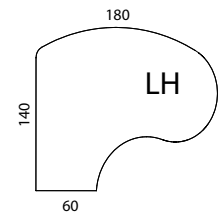
SYMMETRICAL DESKS 120°



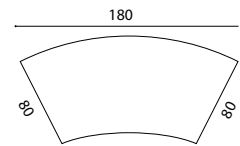
PENTAGONAL DESKS lh/rh return



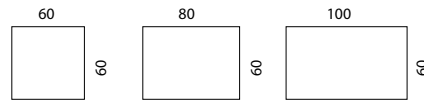
ERGONOMIC DESKS lh/rh return



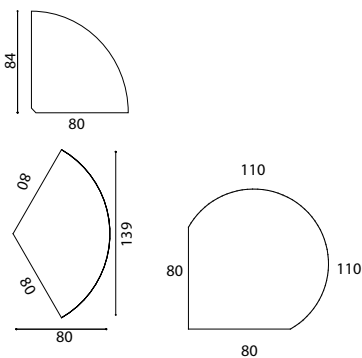
PANORAMIC DESK



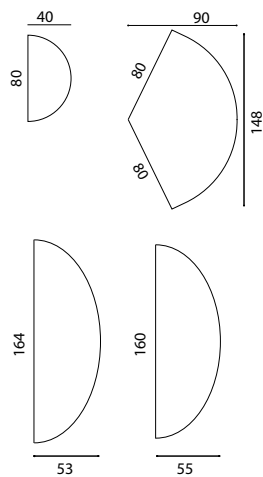
RETURNS



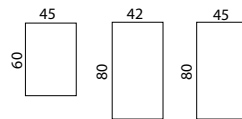
LINKING CORNERS



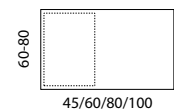
EXTENSIONS



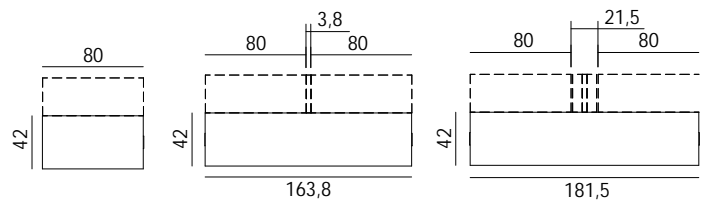
DH MELAMINE PEDESTALS



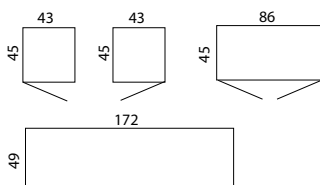
PEDESTALS WITH RETURN WORKTOP



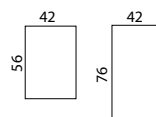
DH STRUCTURAL PEDESTALS/CABINETS



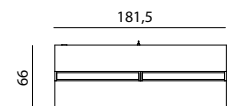
STORAGE UNITS



DH METAL PEDESTALS



BOX

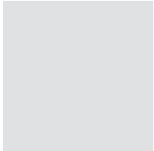


FINISHES

WORKTOPS, PANEL LEG, LINKING CORNERS, EXTENSIONS, MELAMINE MODESTY PANELS AND PEDESTALS



GR - GREY



FA - BEECH



NO - CANALETTO WALNUT



RR - OAK



BA - WHITE



OL - ELM

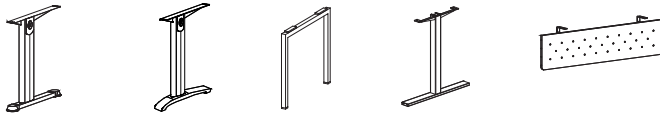


AA* - SILVER



AA* - ONLY FOR PEDESTAL CARCASS

JET, SYSTEM, TUBE, 01 LEGS AND METAL MODESTY PANEL



A - SILVER RAL 9006



I - GLOSSY WHITE RAL 9016



R - SHADOW GREY RAL 7022



STANDARD ABS HANDLES FOR MELAMINE PEDESTALS

LOOK



SILVER (J)
WHITE (JB)

OPTIONAL METAL HANDLES +pts 5 EACH

ZEN



SILVER (Z)
MATT WHITE (A)
SHADOW GREY (Q)
CHROME (Y)

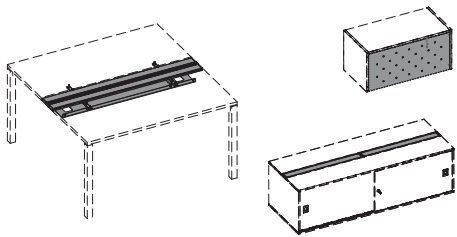
POP



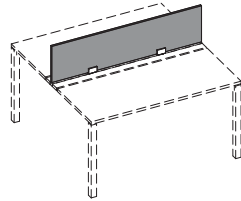
SILVER (P)
CHROME (K)

FINISHES

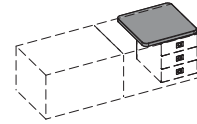
LIFT-UP FLAPS AND CABLE MANAGEMENT, STACKABLE STORAGE UNIT BACK



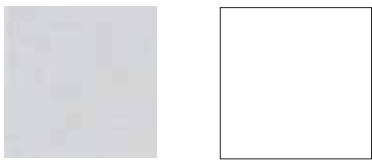
FRAMELESS SCREENS



BOX PADDED CUSHION



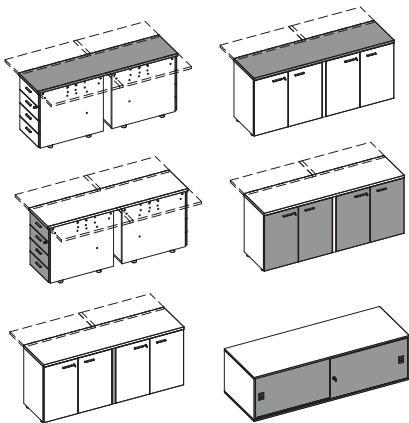
A - SILVER RAL 9006 | **I** - GLOSSY WHITE RAL 9016



R - SHADOW GREY RAL 7022



DH CABINET/PEDESTAL FINISHING TOPS, DOORS, DRAWER FRONTS, CLOSING PROFILE; BOX SLIDING DOORS



GR - GREY



FA - BEECH



RR - OAK



OL - ELM



BA - WHITE



NO - CANALETTO WALNUT



MELAMINE

AA - ALU



BA - WHITE



FABRIC

***B01/012** - GREY



***B01/019** - LIGHT BLUE



***B01/009** - BEIGE



***B01/018** - RED



***B01/012** - GREY



***B01/019** - LIGHT BLUE



***B01/009** - BEIGE



***B01/018** - RED

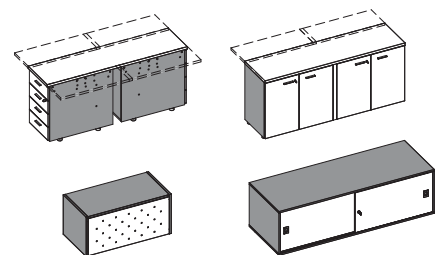


*FABRICS ON STOCK;
CAT B01 OFFISIT FABRICS ON REQUEST

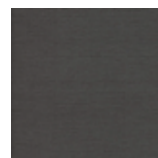
DH CABINET/PEDESTAL CARCASS, STACKABLE STORAGE UNIT

GLASS

F - DOUBLE-FACE FROSTED



TA - ANTHRACITE LINEN



AA - SILVER



BA - WHITE

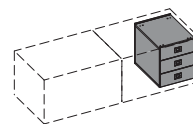


BOX PEDESTAL

AA - SILVER



BA - WHITE



MELAMINE FRAMELESS SCREENS



GR - GREY

FA - BEECH



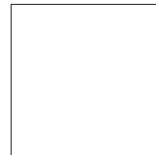
RR - OAK

NO - CANALETTO WALNUT



OL - ELM

BA - WHITE

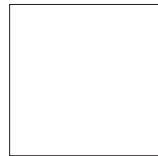


MDF FRAMELESS SCREEN

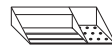
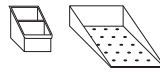


A - SILVER

I - WHITE



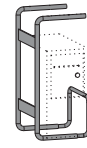
TOOL FOR RAIL, VERTEBRA CABLE RISER



T - TRANSLUCENT



METAL FIXED CPU HOLDER

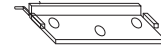
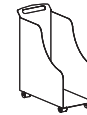


A - SILVER

I - WHITE



METAL MOBILE CPU HOLDER, KEYBOARD TRAY, PVC CABLE TRAY



A - SILVER



COAT STANDS



R - RED

I - WHITE



C - CHROME

N - BLACK



SPECIFICATION SHEET

TOPS

30mm melamine faced chipboard (MFC) finished with 2mm ABS impact resistant edges. Easy to clean scratch-resistant anti-reflective melamine available in six finish options, three feature a textured surface (canaletto walnut, light oak, elm), three a smooth one (white, grey, beech).

IDEA+ 01 FRAME

Epoxy powder coated seamless, fully-welded goalpost frame available in three finish options. Legs are made of 40x40mm 1.5mm thick steel tube, crossbar of 60x30mm 1mm steel tube. Two welding joints. End legs are supplied with chrome Abs spacers fitted between crossbar and top providing a 12mm shadow gap which creates a floating top aesthetic. Metal-to-metal fixings. 0-17mm Abs adjustable levelling feet. Legs are linked together by 60x30mm silver finished epoxy powder coated 1.5mm steel tubular beams centrally located underneath the top. The Idea+01 range includes both desks and bench desks. Desks are available in five top shapes, 800mm deep rectangular, 600mm deep rectangular, crescent, radius, wave. Rectangular desks may form rows of desks with recessed middle shared legs. Bench desk starters and add-ons are available in a choice of six widths and four depths. Bench desks may feature a 38mm middle gap between the tops for mounting either a framed screen or a desk rail (a frameless screen may be additionally fitted on the rail). Alternatively bench desks can feature a deeper 215mm middle gap between the tops for mounting double full length cable flaps along with a framed screen or a desk rail (a frameless screen may be additionally fitted on the rail).

Idea+01 desks offer height settable telescopic legs as an optional extra. 650mm to 850mm in 20mm increments providing eleven positions. To specify height settable legs add "R" to end of desk code. Height settable legs cannot be used wherever a desk high storage unit, a desk high pedestal or a return unit supported on a static pedestal is linked to desk.

IDEA+ TUBE FRAME

Epoxy powder coated inverted T-shaped leg available in three finish options. Central column made of 60x60mm 2mm thick steel tube, includes two ø43mm round holes complete with Pvc rings to route cables from desktop to floor level. Base made of 70x20mm 2mm thick steel tube complete with Abs end caps matching the frame colour and two 0-7mm Abs levelling feet. Upper plate supporting desktop made of 3mm steel, metal-to-metal fixings. Legs are linked together by 60x30mm silver finished epoxy powder coated 1.5mm steel tubular beams centrally located underneath the top. The beam ends are supplied with two steel inserts which easily slide into the leg columns. The Idea+ Tube range includes both desks and bench desks. Desks are available in eight top shapes, 800mm deep rectangular, 600mm deep rectangular, crescent, radius, wave, symmetrical 120°, pentagonal, panoramic. Bench desks can be formed placing 600 or 800mm deep rectangular single desks back-to-back. Bench desks may feature a 38mm middle gap between the tops for mounting either a framed screen or a desk rail (a frameless screen may be additionally fitted on the rail). Alternatively bench desks can feature a deeper 215mm middle gap between the tops for mounting double full length cable flaps along with a framed screen or a desk rail (a frameless screen may be additionally fitted on the rail).

Idea+ Tube desks offer height settable telescopic legs as an optional extra. From 675mm to 775mm in 20mm increments providing six positions. To specify height settable legs add "R" to end of desk code. Height settable legs cannot be used wherever a desk high storage unit, a desk high pedestal, a credenza unit or a return unit supported on a static pedestal is linked to desk.

IDEA+ PANEL

Panel end legs made of 25mm melamine faced chipboard (MFC) finished with 2mm ABS impact resistant edge. Easy to clean scratch-resistant anti-reflective melamine available in six finish options, three feature a textured surface (canaletto walnut, light oak, elm), three a smooth one (white, grey, beech). Panel legs are linked together by a structural modesty panel which can be supplied in two variants: 18mm melamine faced chipboard (MFC) available in a matching finish to the worktop or 1mm thick epoxy powder coated perforated steel available in three finish options. 0-17mm adjustable levelling feet.

IDEA+ JET FRAME

Epoxy powder coated cantilever leg frame available in three finish options. Central column made of 1.5mm thick steel, includes a Quadrifoglio branded plastic cap and a 0.7mm thick steel removable cover creating a concealed vertical channel inside the leg through which cables can be routed from desktop to floor level. Both the cap and the cover can come in a matching or contrasting finish to the frame colour. The central column is welded to a base made of 60x30mm 1.5mm thick steel complete with Abs end caps matching the frame colour and two 0-17mm Abs levelling feet. Upper plate supporting desktop made of 3mm steel, metal-to-metal fixings. Legs can be linked together in three different ways:

1. by a silver finished epoxy powder coated 1.5mm steel telescopic U-shaped beam through which cables can run. The beam is centrally located underneath the top;
2. by a structural modesty panel made of 18mm melamine faced chipboard (MFC) available in a matching finish to the worktop;
3. by a structural modesty panel made of 1mm thick epoxy powder coated perforated steel available in three finish options.

Beams and structural modesty panels can be fitted both individually or together.

The Idea+ Jet range includes both desks and bench desks. Desks are available in nine top shapes, 800mm deep rectangular, 600mm deep rectangular, crescent, radius, wave, symmetrical 120°, pentagonal, panoramic, kidney-shaped. Bench desks can be formed placing 600 or 800mm deep rectangular single desks back-to-back. Bench desks may feature a 38mm middle gap between the tops for mounting either a framed screen or a desk rail (a frameless screen may be additionally fitted on the rail). Alternatively bench desks can feature a deeper 215mm middle gap between the tops for mounting double full length cable flaps along with a framed screen or a desk rail (a frameless screen may be additionally fitted on the rail).

IDEA+ SYSTEM FRAME

Epoxy powder coated cantilever leg frame available in three finish options. Central column made of 1.5mm thick steel, includes a Quadrifoglio branded plastic cap and a 0.7mm thick steel removable cover creating a concealed vertical channel inside the leg through which cables can be routed from desktop to floor level. Both the cap and the cover can come in a matching or contrasting finish to the frame colour. The central column is welded to a base made of 3mm thick steel complete with two 0-13mm Abs levelling feet. Upper plate supporting desktop made of 3mm steel, metal-to-metal fixings. Legs can be linked together in three different ways:

1. by a silver finished epoxy powder coated 1.5mm steel telescopic U-shaped beam through which cables can run. The beam is centrally located underneath the top;
2. by a structural modesty panel made of 18mm melamine faced chipboard (MFC) available in a matching finish to the worktop;
3. by a structural modesty panel made of 1mm thick epoxy powder coated perforated steel available in three finish options.

Beams and structural modesty panels can be fitted both individually or together.

The Idea+ System range includes both desks and bench desks. Desks are available in nine top shapes, 800mm deep rectangular, 600mm deep rectangular, crescent, radius, wave, symmetrical 120°, pentagonal, panoramic, kidney-shaped. Bench desks can be formed placing 600 or 800mm deep rectangular single desks back-to-back. Bench desks may feature a 38mm middle gap between the tops for mounting either a framed screen or a desk rail (a frameless screen may be additionally fitted on the rail). Alternatively bench desks can feature a deeper 215mm middle gap between the tops for mounting double full length cable flaps along with a framed screen or a desk rail (a frameless screen may be additionally fitted on the rail).

Idea+ System desks offer height settable telescopic legs (both for 800 and 600mm deep desks) as an optional extra. Available in silver only. From 660mm to 820mm in 20mm increments providing nine positions. Add +69 pts to the desk retail price for a pair of height settable legs. For individual height settable legs add +35 pts retail. To specify height settable legs replace the third character of the desk code with the letter "X". Height settable legs cannot be used wherever a desk high storage unit, a desk high pedestal, a credenza unit or a return unit supported on a static pedestal is linked to desk.

CABLE MANAGEMENT

A number of solutions are available. Check out the relevant price list sections for details or ask your Quadrifoglio agent.

Desktop cable management:

- aluminium full length lift-up cable flaps with soft close
- aluminium 450mm or 300mm wide cable flaps
- scallops of any size and shape made to client's specifications
- ABS ø60mm cable ports

Horizontal underdesk cable management:

- steel high capacity cable trays
- steel wire tilting and easily demountable cable baskets
- Pvc entry level cable trays

Vertical cable management:

- steel high capacity metal towers
- steel or ABS cable spines
- polycarbonate peel-and-stick cable risers.

DESK RAILS, FULL LENGTH CABLE FLAPS with HIGH CAPACITY CABLE TRAYS, FRAMELESS SCREENS

Desk rails for single desks. Desk rails for bench desks with 38mm middle gap between tops. Cable management. Frameless or framed screens.

Desk rails made of epoxy powder coated extruded aluminium complete with injection molded ABS end caps painted in a matching finish to the rail.

A frameless screen may be additionally fitted on the rail. Pair of epoxy powder coated 3mm formed sheet metal holding brackets are fitted to the underside of the desktop using metal-to-metal fixings. In case a framed screen is required (instead of a frameless screen), the same pair of brackets can be used to hold the framed screen while the desk rail is not needed.

Underneath the desk rail of a bench desk with 38mm middle gap a high capacity full length 400mm deep x 110mm high epoxy powder coated 1mm sheet metal cable tray may be fitted. In such a case larger holding brackets are used than those for single desks. In case a framed screen is required (instead of a frameless screen), the same pair of brackets can be used to hold the framed screen and the cable tray while the desk rail is not needed.

Desk rails and full length lift-up cable flaps for single desks. Desk rails and full length lift-up cable flaps for bench desks with 215mm middle gap between tops. Cable management. Frameless or framed screens.

Desk rails and cable flaps made of epoxy powder coated extruded aluminium complete with injection molded ABS end caps painted in a matching finish to the rail/flap. A frameless screen may be additionally fitted on the rail. Flaps feature adjustable soft close hydraulic damper units to provide "anti-slam" closing. Die-cast zamak hinges are fitted to flaps using metric-threaded screws. High capacity epoxy powder coated 1mm sheet metal full length cable trays are fitted underneath the flaps. Cable trays for single desks are 127mm deep x 82mm high while those for bench desks are 400mm deep x 110mm high.

A pair of epoxy powder coated 3mm formed sheet metal brackets holding the desk rail, the cable flap/s as well as the cable tray, are fitted to the underside of the desktop using metal-to-metal fixings.

In case framed screens are required (instead of frameless screens), the same pair of brackets can be used to hold the framed screen, the flap/s as well as the cable tray while the desk rail is not needed.

320mm high melamine faced chipboard (MFC) frameless desk mounted screens (SCDVM ... codes)

Frameless screens are designed to be fitted to desk rails. Screen made of 18mm melamine faced chipboard (MFC) finished with 2mm ABS impact resistant edges. Easy to clean scratch-resistant anti-reflective melamine available in two finish options, white or silver. Pair of U-shaped die-cast zamak mounting brackets holding the screen are fitted to desk rail. Mounting brackets are concealed by injection molded ABS caps painted in white or silver. Available in a selection of six widths. Frameless screens can be as wide as the desk rail or less wide.

320mm high fabric frameless desk mounted screens (SCDVT ... codes)

Frameless screens are designed to be fitted to desk rails. Screen made of 18mm melamine faced chipboard (MFC) covered with fire retardant B01 fabric (see Offisit seating fabric charts). A zip running along the screen lower edge keeps the fabric cover tightly wrapped. Pair of U-shaped die-cast zamak mounting brackets holding the screen are fitted to desk rail. Mounting brackets are concealed by injection molded ABS caps painted in white or silver. Available in a selection of six widths. Frameless screens can be as wide as the desk rail or less wide.

320mm high glass frameless desk mounted screens (SCDVV ... codes)

Frameless screens are designed to be fitted to desk rails. Screen made of 6mm translucent tempered safety glass with polished edges and radius corners. Pair of U-shaped die-cast zamak mounting brackets holding the screen are fitted to desk rail. ABS fillers placed inside brackets between glass and brackets provide rigidity. Mounting brackets are concealed by injection molded ABS caps painted in white or silver. Available in a selection of six widths. Frameless screens can be as wide as the desk rail or less wide.

Holding brackets for desk mounted lighting

Linea or Stick lamps from the Nyx by Karboxx product portfolio may be fitted to desk rails using specifically designed brackets which we provide.

411mm high melamine faced chipboard (MFC) and painted MDF frameless desk mounted screens which do not require desk rails (CODVM ... and CODVV ... codes)

There is another range of desk mounted frameless screens which do not require desk rails. Panels can be supplied in two variants:

1. 18mm melamine faced chipboard (MFC) finished with 1.5mm ABS impact resistant edges. Easy to clean scratch-resistant anti-reflective melamine available in six finish options, three feature a textured surface (canaletto walnut, light oak, elm), three a smooth one (white, grey, beech);

2. 18mm lacquered medium density fibreboard (MDF) finished with 1.5mm ABS impact resistant edges. Available finish options are white or silver.

Two L-shaped aluminium holding brackets are fitted to the screen using four metric threaded screws and secured to the underside of the top by six wood screws (three on each bracket).

Optionally a metal tool rail can be fitted on the screen surface to hold organizational trays and other accessories.

MODESTY PANELS and CPU HOLDERS

Modesty panels

Non-integral modesty panels can be supplied in two variants:

1.18mm melamine faced chipboard (MFC) finished with 0.4mm melamine edging. Available in the same six finish options as the tops. L-shaped holding brackets made of 3mm epoxy powder coated steel. Metal-to-metal fixings;

2.1mm thick epoxy powder coated perforated steel. Available in the same three finish options as the metal frames. L-shaped holding brackets made of 3mm epoxy powder coated steel. Metal-to-metal fixings.

Modesty panels used for desks with supporting credenza unit share the same construction although have different product codes.

CPU holders

Depth adjustable fixed CPU holder made of silver finished epoxy powder coated steel tube. Screws under any desktop surface. Epoxy powder coated CPU metal cover to conceal the rear of a CPU and associated cables (for use in combination with CPU holder) available as an optional extra in three finish options.

Mobile CPU holder made of silver finished epoxy powder coated sheet metal. Four castors.

SUPPORTING STORAGE UNITS

Idea+ desks and bench desks can be linked to supporting storage units (cabinets, pedestals, credenza units) at one or both sides, removing the need for legs.

DESK HIGH CUPBOARDS with OPEN FRONT or HINGED DOORS

800mm wide x 730mm high x 450mm deep cupboards, 400mm useful depth.

Carcass and shelves made of melamine faced chipboard (MFC) available in three finish options each with matching 0.4mm melamine edge. Bottom, top, sides and back panel are 18mm whereas shelves are 25mm thick. Shelves can be height adjusted in 32mm increments.

Pair of lockable 18mm melamine faced chipboard (MFC) hinged doors. Available in six finish options each with matching 1.5mm impact resistant ABS edge. Two folding keys with plastic head supplied per lock. Anti-corrosion treated metal hinges allowing 95° door opening with optional "anti-slam" soft close. All cupboards come with a 30mm melamine faced chipboard (MFC) cladding top panel as standard, available in six finish options each with matching 2mm impact resistant ABS edge. Optionally 800mm wide x 380mm high x 410mm deep 18mm melamine faced chipboard (MFC) top boxes with epoxy powder coated perforated steel back panel can be fitted on cladding tops to increase both storage space and privacy. Top boxes are available in three finish options each with matching 1.5mm impact resistant ABS edge.

The melamine used for all parts is easy to clean, scratch-resistant and anti-reflective.

Handles can come in ABS (standard) or metal (optional). 0-15mm manually height adjustable levelling feet.

These cupboards may either be placed next to a free standing desk or bench or linked to them by specific brackets thereby removing the need for legs. Delivered flat packed.

DESK HIGH PEDESTALS

800mm wide x 730mm high x 450mm deep static pedestals.

Carcass made of 18mm melamine faced chipboard (MFC) available in three finish options each with matching 0.4mm melamine edge. Drawer fronts made of 18mm melamine faced chipboard (MFC) available in six finish options each with matching 1.5mm ABS edge. Lockable drawers made of chipboard coated with silver finished Pvc or epoxy powder coated steel both with optional "anti-slam" soft close. 80% extension. Metal slides with safety stop mechanism. Central locking with two folding keys with plastic head. File drawers provided with bottom and metal wire frame accepting A4 and foolscap suspension files.

All pedestals come with a 30mm melamine faced chipboard (MFC) cladding top panel as standard, available in six finish options each with matching 2mm impact resistant ABS edge. Optionally 800mm wide x 380mm high x 410mm deep 18mm melamine faced chipboard (MFC) top boxes with epoxy powder coated perforated steel back panel can be fitted on cladding tops to increase both storage space and privacy. Top boxes are available in three finish options each with matching 1.5mm impact resistant ABS edge.

The melamine used for all parts is easy to clean, scratch-resistant and anti-reflective.

Handles can come in ABS (standard) or metal (optional). 0-15mm manually height adjustable levelling feet.

These pedestals can either be placed next to a free standing desk or bench or linked to them via specific brackets thereby removing the need for legs. Delivered pre-assembled.

STATIC PEDESTALS COMPLETE WITH FLUSH MOUNTED INSET RETURN TOP

In addition to standard return units supported on legs, free standing Idea+ desks can also be offered with an inset return top supported on a static MFC or metal pedestal.

Melamine faced chipboard (MFC) static pedestals:

carcass, drawer fronts and top are made of 18mm easy to clean scratch-resistant anti-reflective melamine faced chipboard (MFC). Drawer fronts and top finished with 2mm ABS impact resistant edges. Carcass finished with melamine edging. The carcass is available in the same finish as drawer fronts and top or in a contrasting finish at no extra cost. Drawers are made of chipboard coated with silver finished Pvc but can also be supplied in epoxy powder coated steel at a surcharge. Central locking, includes two folding keys with plastic head. Heavy duty 80% extension metal slides provided with safety stop mechanism, soft close available as an optional extra.

File drawers come with silver finished 1.5mm sheet metal frame or with bottom and metal wire frame complete with adjustable metal beam. Both options accept 330/380mm A4 and foolscap suspension files running front to back.

Some models include a pen drawer complete with silver finished Pvc pen tray.

Silver finished Abs "Look" handles supplied as standard. Metal "Zen" and "Pop" handles available in a variety of finishes as optional extras.

Metal pedestals:

made of epoxy powder coated sheet metal with varying thickness from 0.8mm (back and sides) through to 1mm (top), 2mm (bottom), 0.7mm (drawers). Epoxy powder coating in three finish options. Central locking, includes two folding keys with plastic head. Drawer interlock, only single drawer opening at a time. Heavy duty 80% extension metal slides provided with safety stop mechanism.

File drawers come with 2mm sheet metal bottom and metal wire frame complete with adjustable metal beam. Both options accept 330/380mm A4 and foolscap suspension files running front to back. File drawers are supplied with 100% extension slides provided with safety stop mechanism.

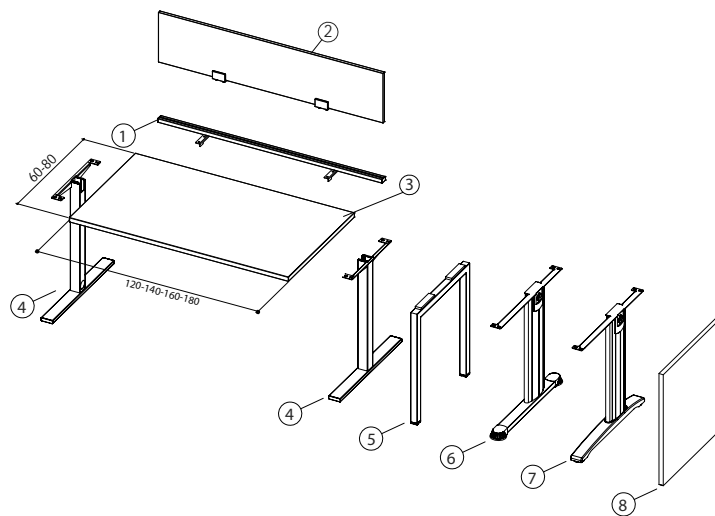
Tops are made of 30mm melamine faced chipboard (MFC) finished with 2mm ABS impact resistant edges. Easy to clean scratch-resistant anti-reflective melamine available in six finish options, three feature a textured surface (canaletto walnut, light oak, elm), three a smooth one (white, grey, beech).

Tops may be supported either on the pedestal or on silver finished Pvc spacers positioned between top and pedestal.

Return tops are additionally linked to desktop using metal plates with metal-to-metal fixings.

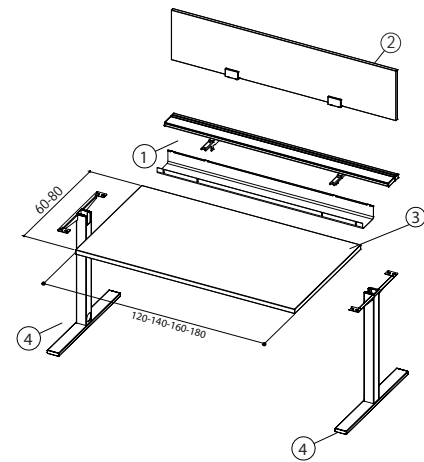
TECHNICAL FEATURES

DESK WITH RAIL AND FRAMELESS SCREEN



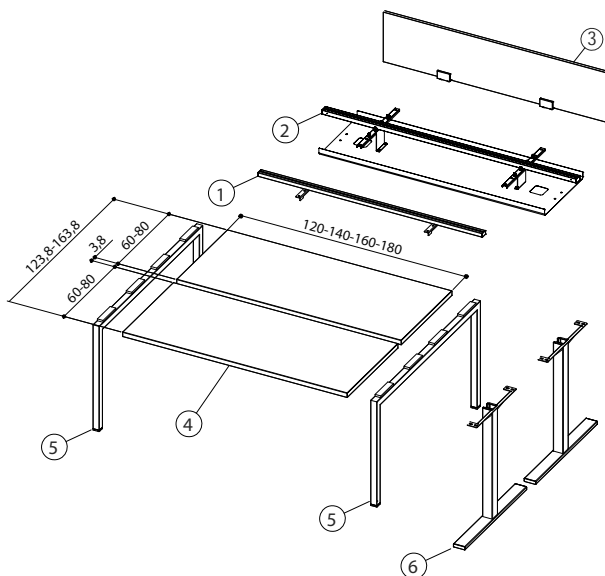
- 1) rail with brackets
- 2) frameless screen for rail
- 3) desktop with beam
- 4) Tube end leg
- 5) O1 end leg
- 6) Jet end leg
- 7) System end leg
- 8) Panel end leg

DESK WITH RAIL, LIFT-UP FLAP AND FRAMELESS SCREEN



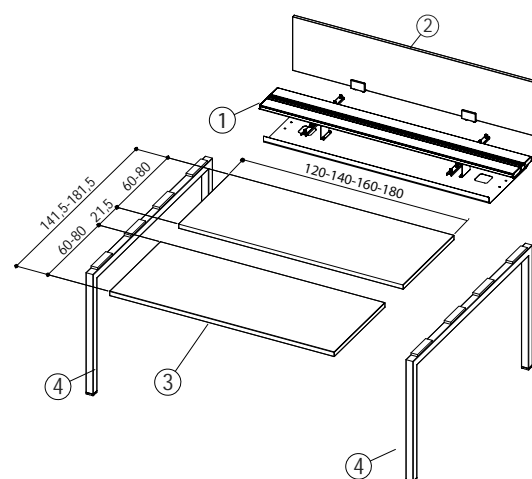
- 1) rail with brackets, lift-up flap and cable tray for single desk
- 2) frameless screen for rail
- 3) desktop with beam
- 4) Tube end leg (used as example, available also with legs O1, Jet, System, Panel)

BENCH WITH RAIL AND FRAMELESS SCREEN



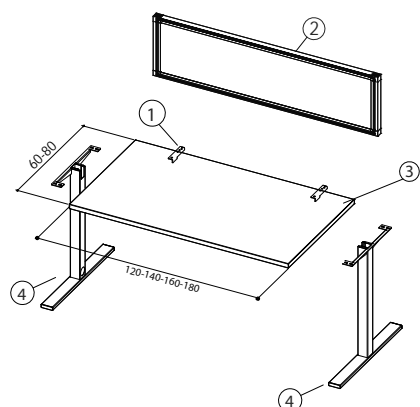
- 1) rail with brackets
- 2) rail with brackets and bench cable tray
- 3) frameless screen for rail
- 4) pair of desktops with beams
- 5) O1 bench end leg for rail/framed Screen
- 6) pair of Tube legs (used as example, available also with legs O1, Jet, System, Panel)

BENCH WITH RAIL, LIFT-UP FLAPS AND FRAMELESS SCREEN



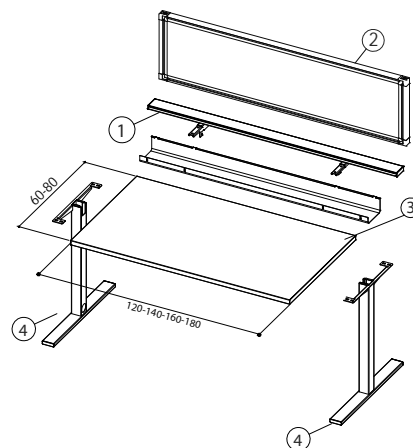
- 1) rail with brackets, lift-up flaps and cable tray for bench
- 2) frameless screen for rail
- 3) pair of desktops with beams
- 4) O1 bench end leg for rail/framed Screen with flip-up flaps (used as example, available also with single legs Jet, System, Panel)

DESK WITH FRAMED SCREEN



- 1) pair of brackets for framed Screen
- 2) framed Screen
- 3) desktop with beam
- 4) Tube end leg (used as example, available also with single legs Jet, System)

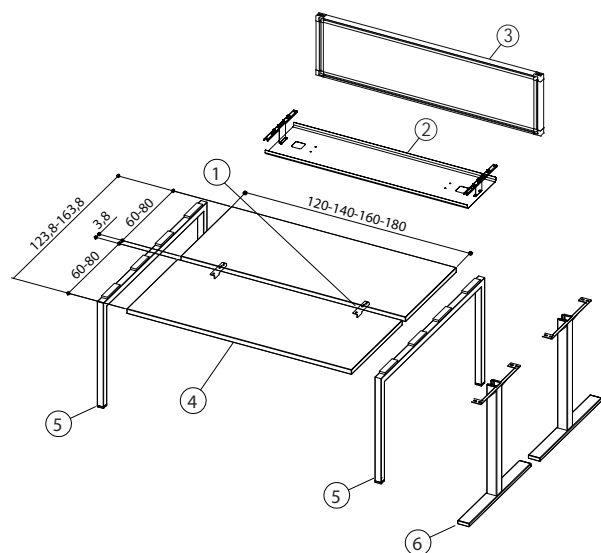
DESK WITH FRAMED SCREEN AND LIFT-UP FLAP



- 1) individual desk lift-up flap with brackets and cable tray
- 2) framed Screen
- 3) desktop with beam
- 4) Tube end leg used as example, available also with legs 01, Jet, System)

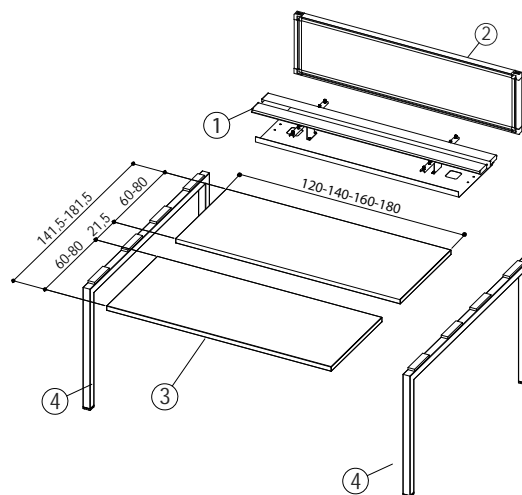
REMARK: SCREEN AND SCREEN WITH LIFT-UP FLAP CAN NOT BE USED WITH 01 SINGLE DESKS 80CM D.

BENCH WITH FRAMED SCREEN



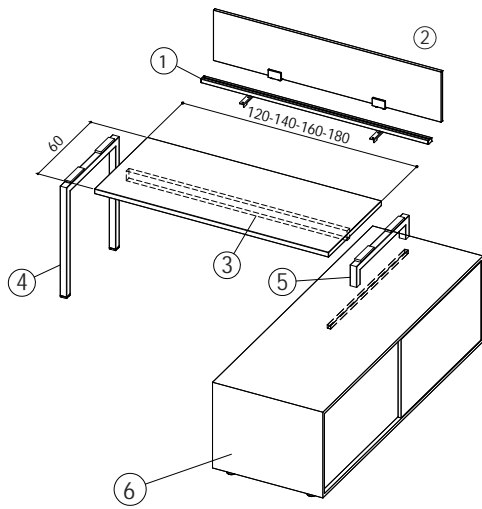
- 1) pair of brackets for framed Screen
- 2) bench cable tray with brackets for framed Screen
- 3) framed Screen
- 4) pair of desktops with beams
- 5) 01 bench end leg for rail/framed Screen
- 6) paire of Tube legs (used as example, available also with single legs Jet, System)

BENCH WITH LIFT-UP FLAPS AND FRAMED SCREEN



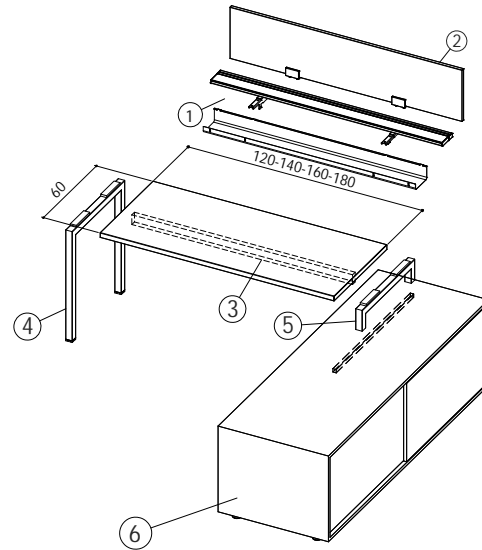
- 1) bench lift-up flaps with brackets and cable tray
- 2) framed Screen
- 3) pair of desktops with beams
- 4) 01 bench end leg for rail/framed Screen with lift-up flaps (used as example, available also with single legs Tube, Jet, System)

01 DESK WITH RAIL, FRAMELESS SCREEN AND BOX



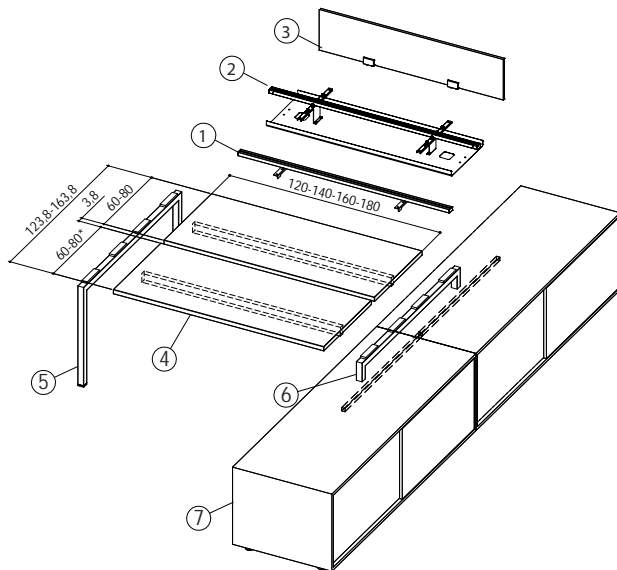
- 1) rail with brackets
- 2) frameless screen for rail
- 3) desktop with beam
- 4) LH desk end leg
- 5) supporting O1 leg for single desk with Box (supporting beam under the top included)
- 6) Box

01 DESK WITH RAIL, LIFT-UP FLAPS, FRAMELESS SCREEN AND BOX



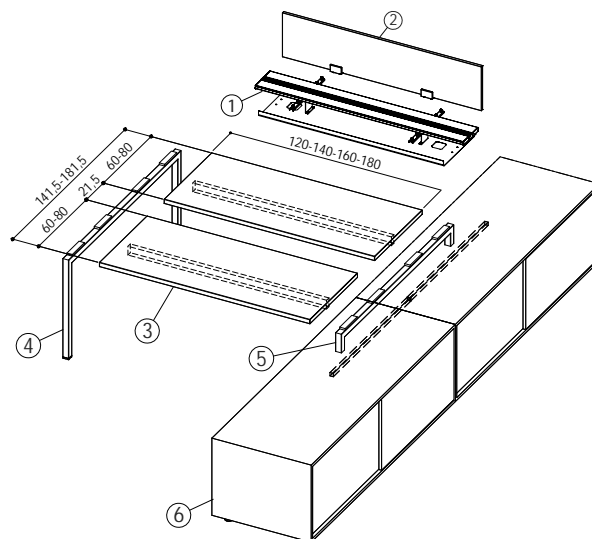
- 1) individual desk rail with brackets, lift-up flap and cable tray
- 2) frameless screen for rail
- 3) desktop with beam
- 4) LH desk end leg
- 5) supporting O1 leg for single desk with Box (supporting beam under the top included)
- 6) Box

01 BENCH WITH RAIL, FRAMELESS SCREEN AND BOX



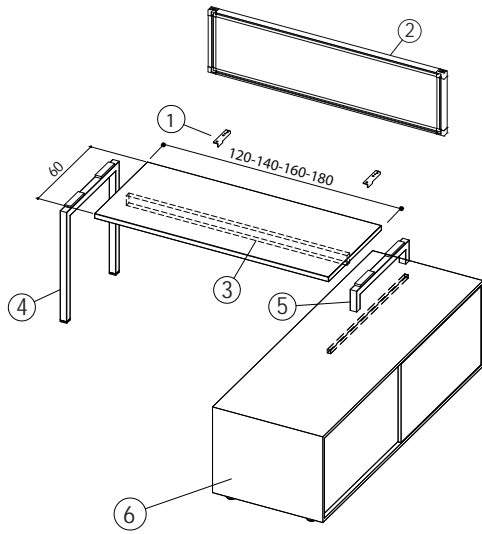
- 1) rail with brackets
- 2) rail with brackets and bench cable tray
- 3) frameless screen for rail
- 4) pair of desktops with beams
- 5) end O1 bench leg or rail/framed Screen
- 6) supporting O1 leg for bench with Box (supporting beam under the top included)
- 7) Box

01 BENCH WITH RAIL, LIFT-UP FLAPS, FRAMELESS SCREEN AND BOX



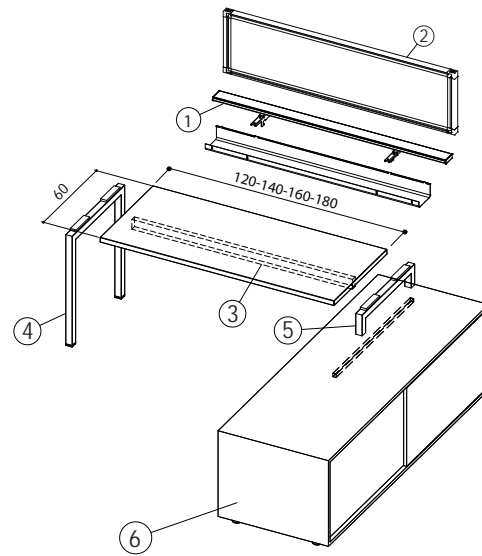
- 1) bench rail with brackets, lift-up flaps and cable tray
- 2) frameless screen for rail
- 3) pair of desktops with beams
- 4) end O1 bench leg for rail/framed Screen with lift-up flaps
- 5) supporting O1 leg for bench with Box (supporting beam under the top included)
- 6) Box

01 DESK WITH FRAMED SCREEN AND BOX



- 1) pair of brackets for framed Screen
- 2) framed Screen
- 3) desktop with beam
- 4) LH desk end leg
- 5) supporting 01 leg for single desk with Box (supporting beam under the top included)
- 6) Box

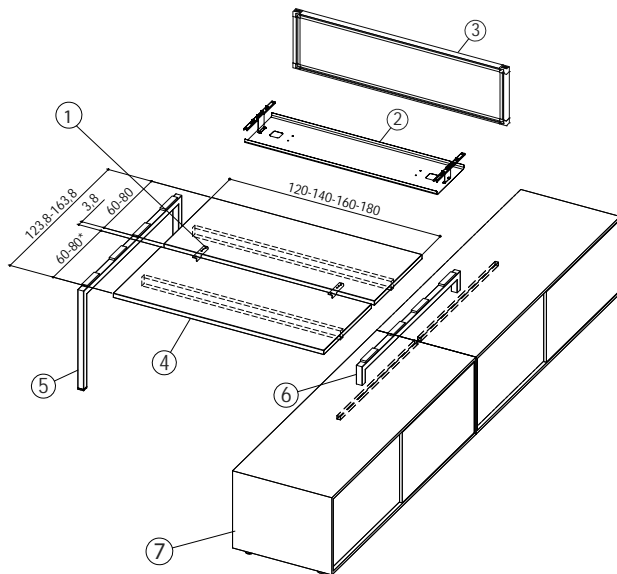
01 DESK WITH FRAMED SCREEN, LIFT-UP FLAP AND BOX



- 1) individual desk lift-up flap with brackets and cable tray
- 2) framed Screen
- 3) desktop with beam
- 4) LH desk end leg
- 5) supporting 01 leg for single desk with Box (supporting beam under the top included)
- 6) Box

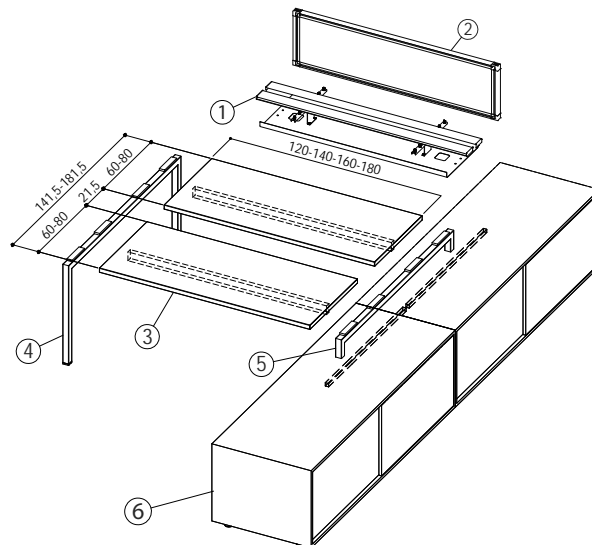
REMARK: WITH 01 80CM D. DESKS, FRAMED SCREEN AND FRAMED SCREEN WITH LIFT-UP FLAP CAN NOT BE USED.

01 BENCH WITH FRAMED SCREEN AND BOX



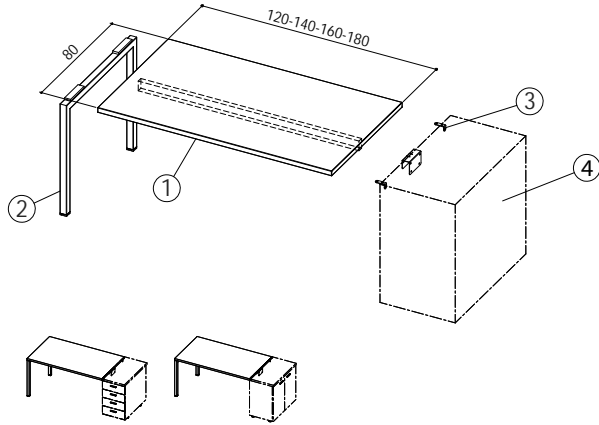
- 1) pair of brackets for framed Screen
- 2) bench cable tray with brackets for framed Screen
- 3) framed Screen
- 4) pair of desktops with beams
- 5) end 01 bench leg for rail/framed Screen
- 6) supporting 01 leg for bench with Box (supporting beam under the top included)
- 7) Box

01 BENCH WITH FRAMED SCREEN, LIFT-UP FLAP AND BOX



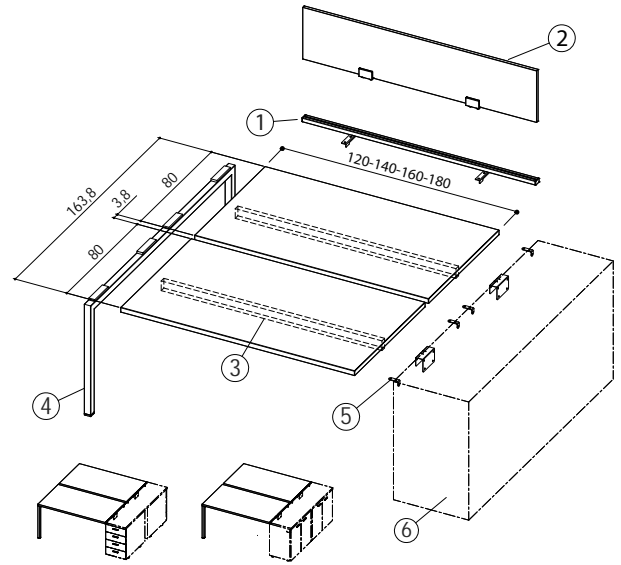
- 1) bench lift-up flaps with brackets and cable tray for framed Screen
- 2) framed Screen
- 3) pair of desktops with beams
- 4) end 01 bench leg for rail/framed Screen with lift-up flaps
- 5) supporting 01 leg for bench with Box (supporting beam under the top included)
- 6) Box

**01 DESK WITH DH
CABINET/PEDESTAL**



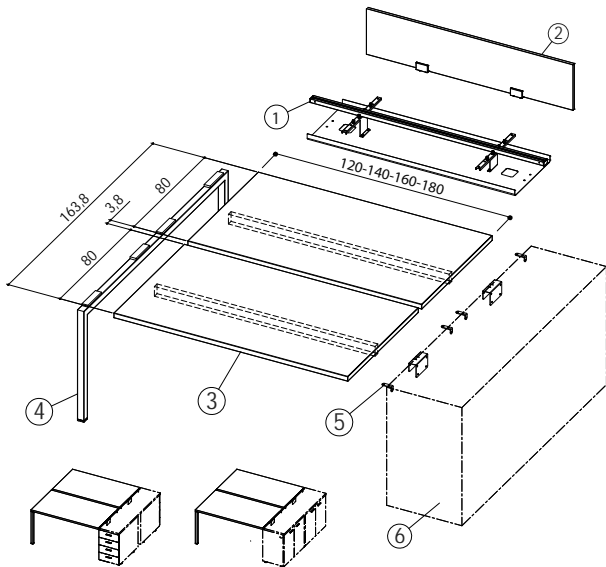
- 1) desktop with beam
- 2) end desk leg
- 3) DH cabinet/pedestal linking brackets for individual desk
- 4) DH cabinet/pedestal

**01 BENCH WITH RAIL, FRAMELESS
SCREEN AND DH CABINETS/PEDESTALS**



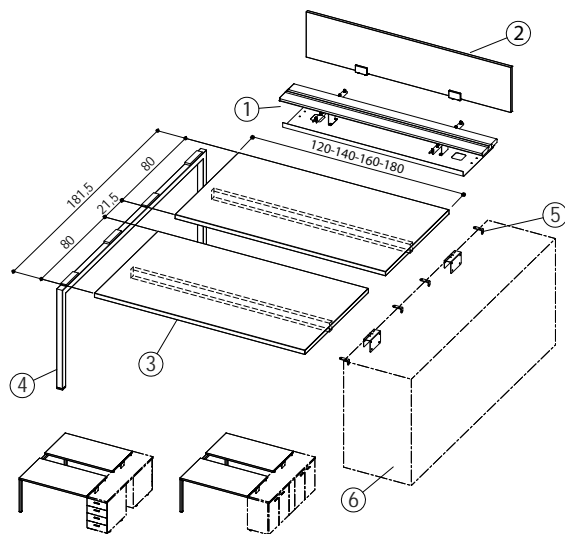
- 1) rail with brackets
- 2) frameless screen for rail
- 3) pair of desktops with beams
- 4) end bench leg for rail/Screen
- 5) DH cabinet/pedestal linking brackets for bench
- 6) DH pair of cabinets/pedestals

**01 BENCH WITH RAIL AND CABLE TRAY,
FRAMELESS SCREEN AND DH CABINETS/
PEDESTALS**



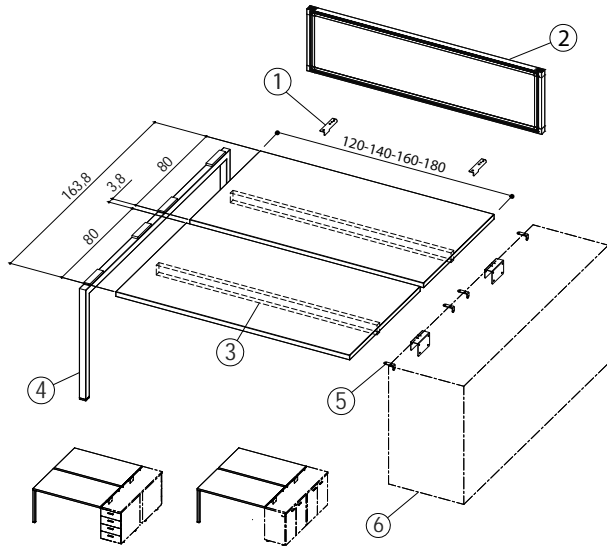
- 1) rail with brackets and bench cable tray
- 2) frameless screen for rail
- 3) pair of desktops with beams
- 4) end bench leg for rail/framed Screen
- 5) DH cabinet/pedestal linking brackets for bench
- 6) DH pair of cabinets/pedestals

**01 BENCH WITH RAIL, LIFT-UP FLAPS,
FRAMELESS SCREEN AND DH CABINETS/
PEDESTALS**



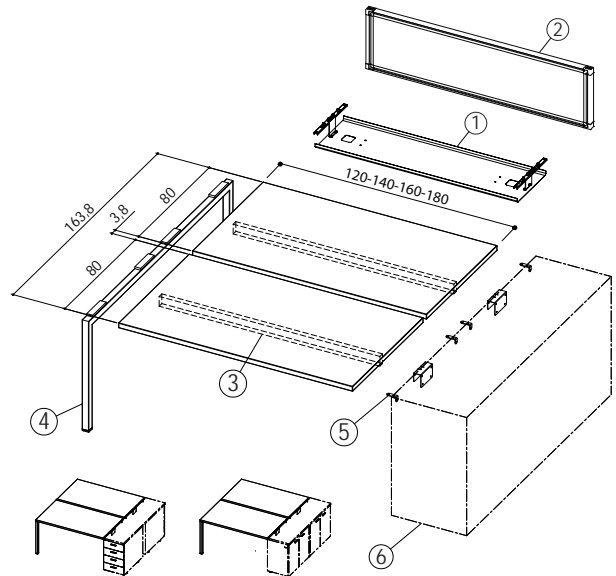
- 1) rail with brackets, lift-up flaps and bench cable tray
- 2) frameless screen for rail
- 3) pair of desktops with beams
- 4) end bench leg for rail/framed Screen with lift-up flaps
- 5) DH cabinet/pedestal linking brackets for bench
- 6) DH pair of cabinets/pedestals

01 BENCH WITH FRAMED SCREEN AND DH CABINETS/PEDESTALS



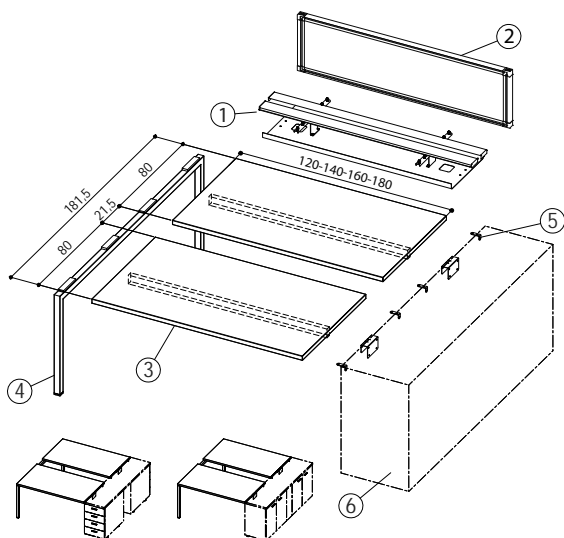
- 1) pair of brackets for framed Screen
- 2) framed Screen
- 3) pair of desktops with beams
- 4) end 01 bench leg for rail/framed Screen
- 5) DH cabinet/pedestal linking brackets for bench
- 6) DH cabinets/pedestals

01 BENCH WITH CABLE TRAY, FRAMED SCREEN AND DH CABINETS/PEDESTALS



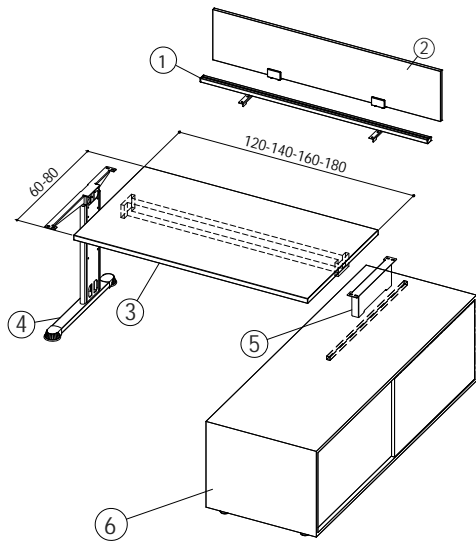
- 1) bench cable tray with brackets for framed Screen
- 2) framed Screen
- 3) pair of desktops with beams
- 4) end 01 bench leg for rail/framed Screen with lift-up flaps
- 5) DH cabinet/pedestal linking brackets for bench
- 6) DH cabinets/pedestals

01 BENCH WITH LIFT-UP FLAPS, FRAMED SCREEN AND DH CABINETS/PEDESTALS



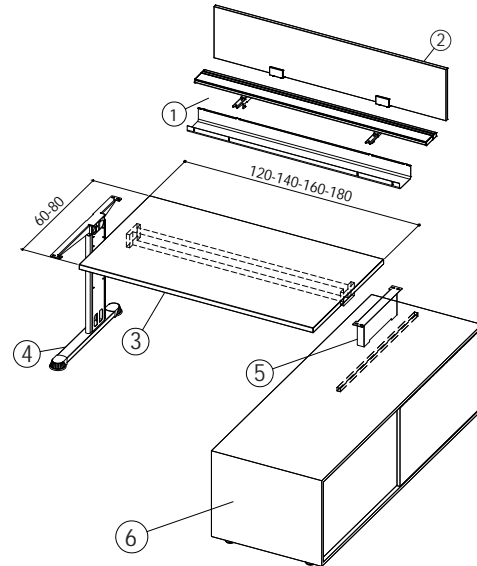
- 1) lift-up flaps with brackets and bench cable tray for framed Screen
- 2) framed Screen
- 3) pair of desktops with beams
- 4) end 01 bench leg for rail/framed Screen with lift-up flaps
- 5) DH cabinet/pedestal linking brackets for bench
- 6) DH cabinets/pedestals

DESK WITH JET, SYSTEM AND TUBE LEGS WITH RAIL, FRAMELESS SCREEN AND BOX



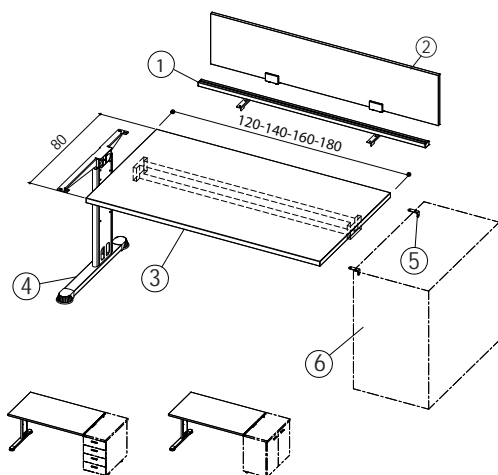
- 1) rail with brackets
- 2) frameless screen for rail
- 3) desktop with beam
- 4) LH desk end leg
- 5) supporting leg for single desk with Box (supporting beam under the top included)
- 6) Box

DESK WITH JET, SYSTEM AND TUBE LEGS WITH RAIL, LIFT-UP FLAP, FRAMELESS SCREEN AND BOX



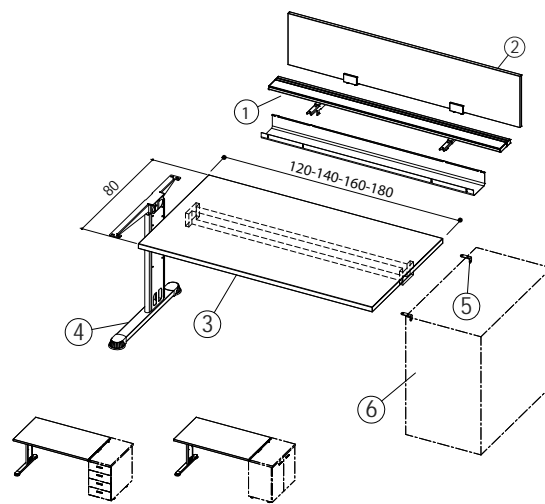
- 1) individual desk rail with brackets, lift-up flap and cable tray
- 2) frameless screen for rail
- 3) desktop with beam
- 4) LH desk end leg
- 5) supporting leg for single desk with Box (supporting beam under the top included)
- 6) Box

DESK WITH JET, SYSTEM, TUBE AND PANEL LEGS WITH RAIL, FRAMELESS SCREEN AND DH CABINET/PEDESTAL



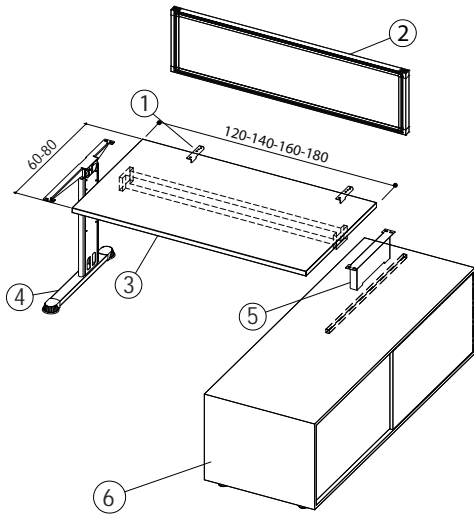
- 1) rail with brackets
- 2) frameless screen for rail
- 3) desktop with beam
- 4) LH desk end leg
- 5) DH cabinet/pedestal linking brackets for individual desk
- 6) DH cabinet/pedestal

DESK WITH JET, SYSTEM, TUBE AND PANEL LEGS WITH RAIL, LIFT-UP FLAP, FRAMELESS SCREEN AND DH CABINET/ PEDESTAL



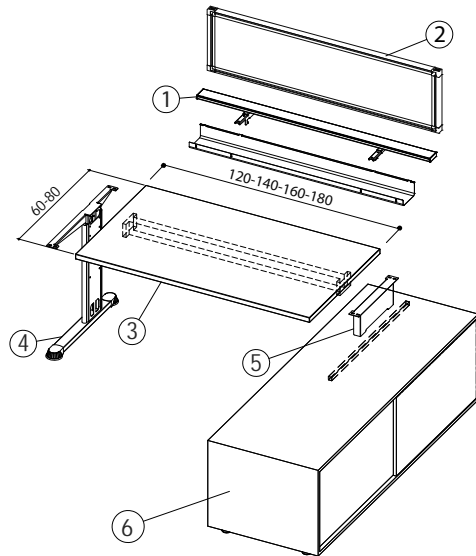
- 1) individual desk rail with brackets, lift-up flap and cable tray
- 2) frameless screen for rail
- 3) desktop with beam
- 4) LH desk end leg
- 5) DH cabinet/pedestal linking brackets for individual desk
- 6) DH cabinet/pedestal

**DESK WITH JET, SYSTEM,
TUBE LEGS WITH FRAMED
SCREEN AND BOX**



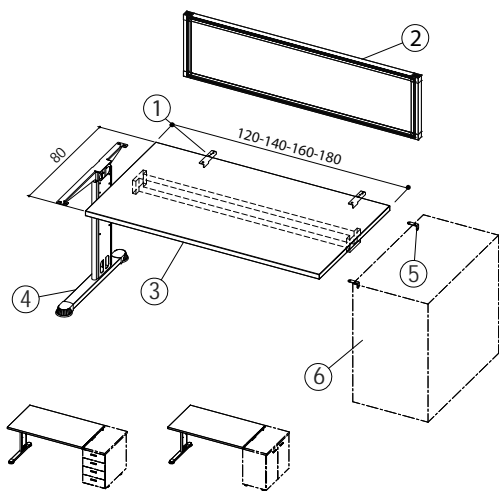
- 1) pair of brackets for Screen
- 2) framed Screen
- 3) desktop with beam
- 4) LH desk end leg
- 5) supporting leg for single desk with Box (supporting beam under the top included)
- 6) Box

**DESK WITH JET, SYSTEM
AND TUBE LEGS WITH LIFT-UP FLAP,
FRAMED SCREEN AND BOX**



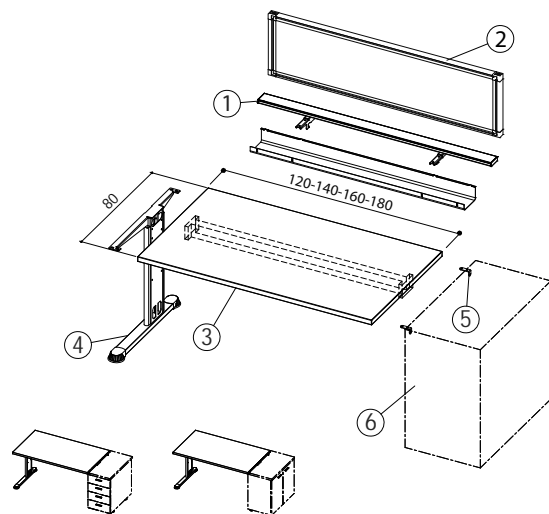
- 1) individual desk lift-up flap with brackets and cable tray
- 2) framed Screen
- 3) desktop with beam
- 4) LH desk end leg
- 5) supporting leg for single desk with Box (supporting beam under the top included)
- 6) Box

**DESK WITH JET, SYSTEM, TUBE
AND PANEL LEGS WITH FRAMED
SCREEN AND DH CABINET/PEDESTAL**



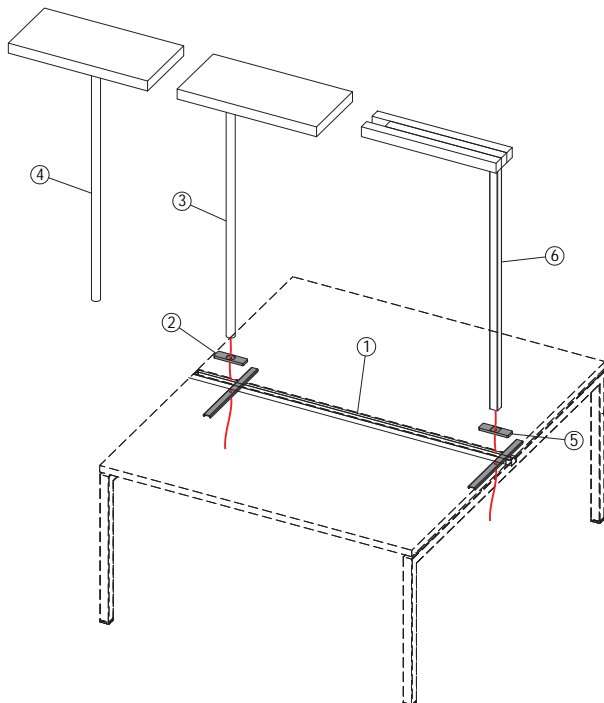
- 1) pair of brackets for Screen
- 2) framed Screen
- 3) desktop with beam
- 4) LH desk end leg
- 5) DH cabinet/pedestal linking brackets for individual desk
- 6) DH cabinet/pedestal

**DESK WITH JET, SYSTEM, TUBE
AND PANEL LEGS WITH LIFT-UP FLAP,
FRAMED SCREEN AND
DH CABINET/ PEDESTAL**



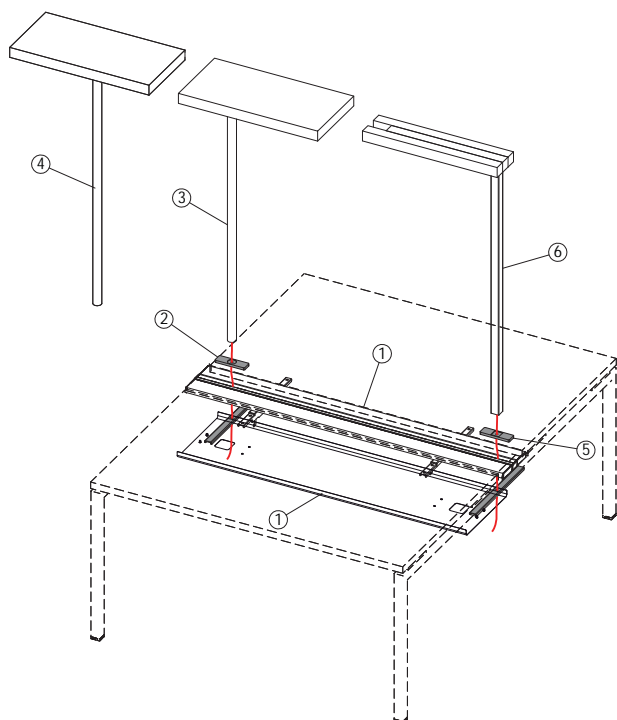
- 1) individual desk lift-up flap with brackets and cable tray
- 2) framed Screen
- 3) desktop with beam
- 4) LH desk end leg
- 5) DH cabinet/pedestal linking brackets for individual desk
- 6) DH cabinet/pedestal

BENCH WITH RAIL: BRACKETS FOR LINEA BENCH MID STEM, LINEA BENCH SIDE STEM AND STICK BENCH LAMPS



- 1) bench rail with brackets
- 2) rail linking support with brackets for lamp NyxbyKarboxx Linea Bench
- 3) Lamp NyxbyKarboxx Linea Bench Side Stem
- 4) Lamp NyxbyKarboxx Linea Bench Mid Stem
- 5) rail linking support with brackets for lamp NyxbyKarboxx Stick Bench
- 6) Lamp NyxbyKarboxx Linea Stick

BENCH WITH RAIL AND FLIP-UP LAPS: BRACKETS FOR LINEA BENCH MID STEM, LINEA BENCH SIDE STEM AND STICK BENCH LAMPS

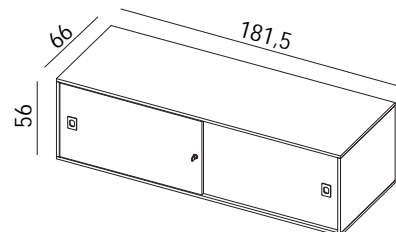
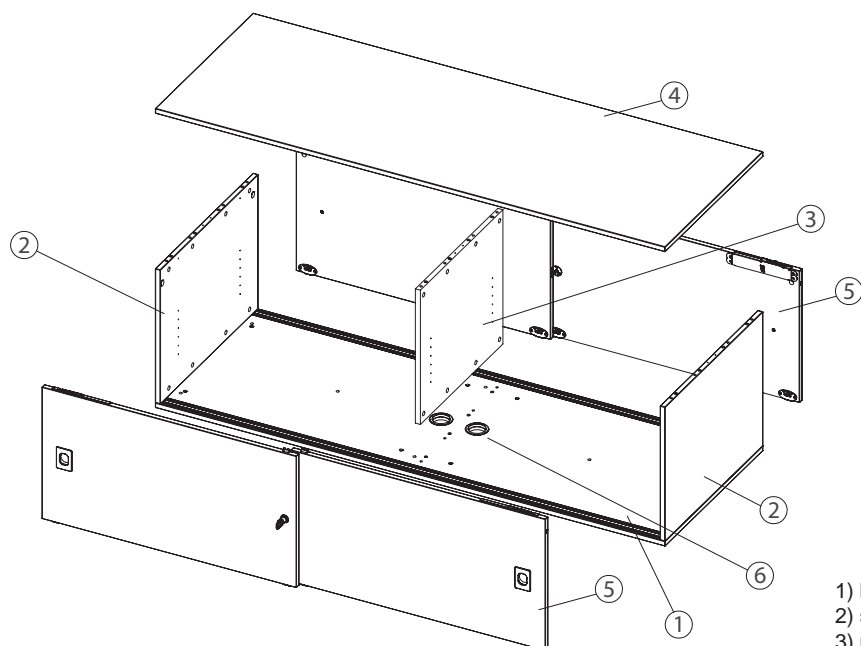


- 1) rail with brackets, lift-up flaps and bench cable tray
- 2) rail linking support with brackets for lamp NyxbyKarboxx Linea Bench
- 3) lamp NyxbyKarboxx Linea Bench Side Stem
- 4) lamp NyxbyKarboxx Linea Bench Mid Stem
- 5) rail linking support with brackets for lamp NyxbyKarboxx Stick Bench
- 6) lamp NyxbyKarboxx Linea Stick

NOTE: LAMPS CAN BE INSTALLED ONLY ON BENCH RAIL, NOT ON SINGLE DESK RAIL.

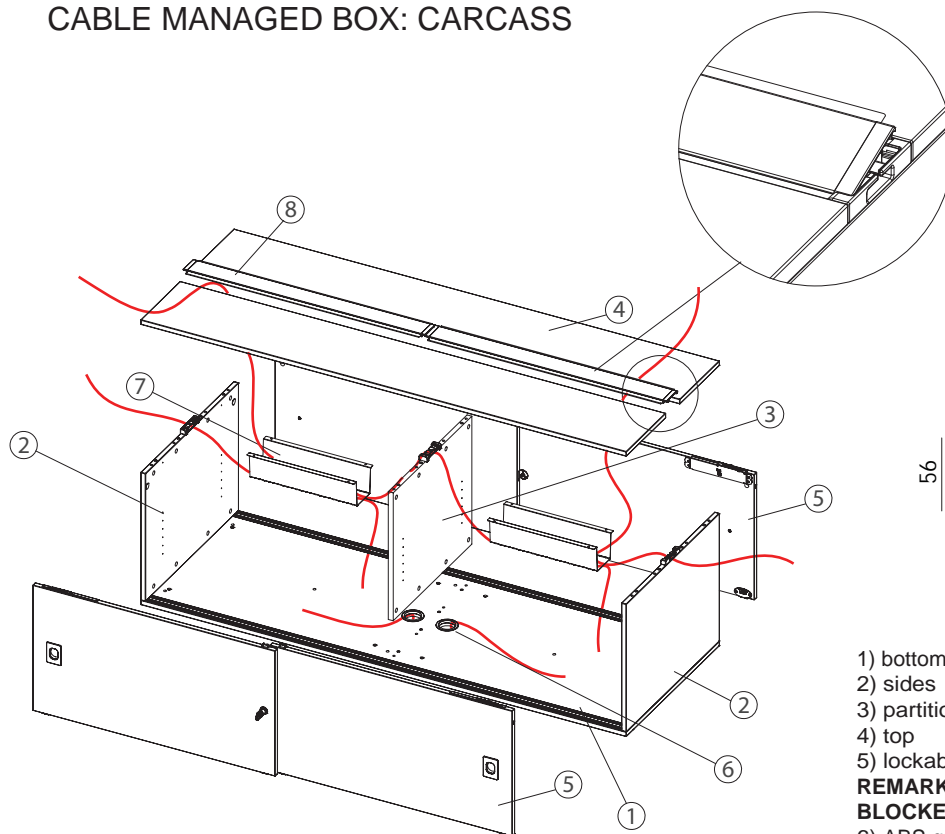
LAMPS: SEE **nyx** PRICE LIST
bykarboxx

BOX: CARCASS

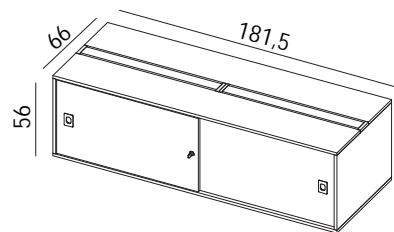


- 1) bottom with sliding doors guides
 - 2) sides
 - 3) partition side
 - 4) top
 - 5) lockable sliding doors with Soft-closing system
- REMARK: AT LEAST ONE DOOR MUST BE BLOCKED**
- 6) ABS grommets for wire management

CABLE MANAGED BOX: CARCASS

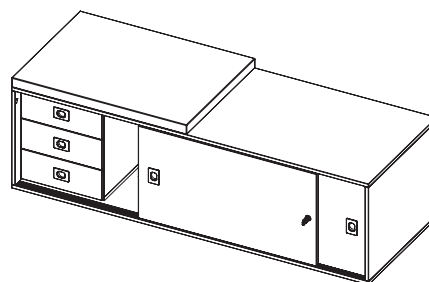
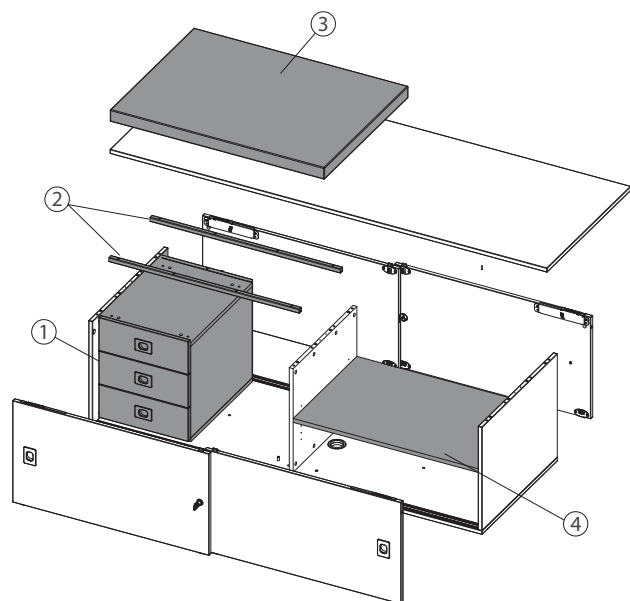


Detail of the removable and double-side opening lift-up flap



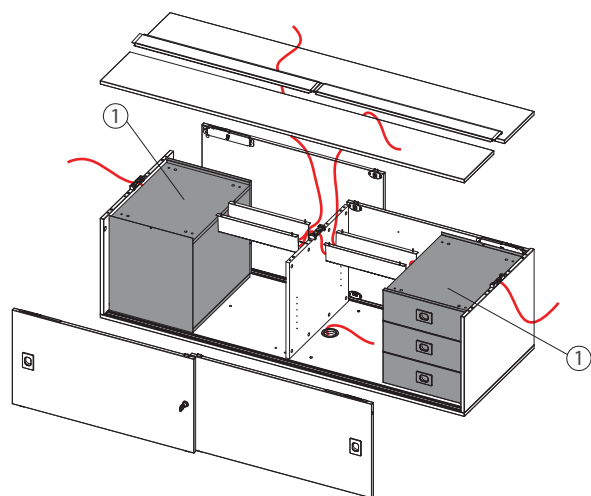
- 1) bottom with sliding doors guides
 - 2) sides
 - 3) partition side
 - 4) top
 - 5) lockable sliding doors with Soft-closing system
- REMARK: AT LEAST ONE DOOR MUST BE BLOCKED**
- 6) ABS grommets for wire management
 - 7) cable tray
 - 8) removable double-side opening lift-up flap

BOX ACCESSORIES: PEDESTAL, SUPPORTING BEAMS, CUSHION, SHELF



- 1) 3-drawer optional pedestal
- 2) optional supporting beams (MANDATORY TO LOAD WEIGHT)
- 3) optional upholstered padded cushion (always together with pedestal and supporting beams)
- 4) optional shelf

CABLE MANAGED BOX ACCESSORIES: PEDESTALS



- 1) 3-drawer optional pedestal

REMARK: DO NOT PLACE TOGETHER 2 PEDESTALS IN CORRESPONDENCE OF THE CLOSING DOOR

